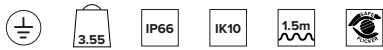
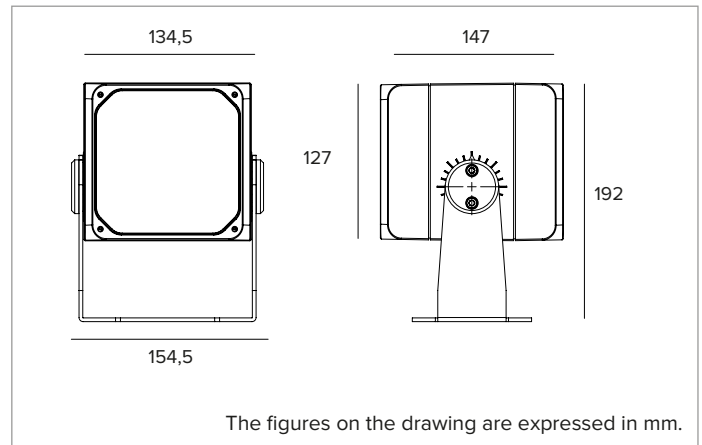


## 1E3938EL | DART Medium Professional adjustable LED projector



		3000K	H(m)	D1(m)	D2(m)	E <sub>max</sub> (lx)	
		Ra80	51°	83°			
Fixture Power	33W	1	1.72	2.39	1328		
Source Flux	4963lm	2	3.44	4.78	332		
Fixture Flux	3526lm	3	5.16	7.16	148		
Efficacy	106lm/W	4	6.88	9.55	83		
TS1504	I <sub>max</sub> =504cd/klm	I <sub>max</sub>	2503cd	5	8.60	11.94	53



### SOURCE

High efficiency Chip on Board LED Ra80.

**Energy efficiency class:** C

**Nominal power:** 31W

**Nominal flux:** 4963lm

**Colour rendering index:** 80

**Rf:** 84

**Rg:** 97

**CCT nominal:** 3000K

**SDCM:** 2

**Lifetime (L80/B10):** >50000h tq +25°C

### ILLUMINOTECHNICAL CHARACTERISTICS

Equipped with pure aluminium reflector with high luminous efficiency and holographic filter.

**Optic:** ASYMMETRICAL

**Beam angles:** ASYM

**Optical efficiency:** 71%

**Fixture flux:** 3526lm

**Luminous efficacy:** 106lm/W

**Photobiological safety:** Compliant with RG1 low risk group

### MECHANICAL CHARACTERISTICS

Painted die-cast anodised aluminium body and painted stainless steel mounting bracket. Rotation of ±45° on the horizontal plane and of 0-120° or 0-20° on the vertical plane.

**Colour and finish:** Ferrite

**Weight:** 3.55Kg

**Degree of protection:** IP66

**Mechanical Resistance:** IK10

### ELECTRICAL CHARACTERISTICS

Complete with electronic ON-OFF power supply. Pre-cabled with a 1.5m H07RN-F cable.

**Fixture Power:** 33W

**Power supply:** 220-240Vac 50/60Hz

**Insulation Class:** CLASS 1

**Type of driver / Control:** ON-OFF

**Driver included:** YES

**Class F:** YES

**SAFE FLICKER:** PstLM=<1 and SVM=<0.4 (IEC TR 61547-1 and IEC TR 63158), to ensure a more comfortable and safe light

**Ambient temperature:** -25°C / +35°C

### INSTALLATION

Mounting bracket with aiming adjustability.

### NOTES

Uses the "Waterblock Smart" technical solution that involves resin coating the connection cables, limiting the risk of humidity reaching the driver or the fixture. It is possible to subject the product to Cataphoresis treatment on request. 110-277Vac version available on request.

### WARRANTY

5 years.

### WARNING

Luminaire designed for disposal/recycling at end-of-life. Replaceable (LED only) light source by a professional. Replaceable control gear by a professional.

*Due to the technological evolution of the electronic components, the data provided may be updated, and as such, confirmation must be requested during the order process.*

*Luminous flux and power supply have +/-10% tolerances with respect to the indicated value. tq +25°C (CIE 121).*

*We reserve the right to make technical changes.*

Targetti Sankey S.r.l.  
Via Pratese, 164  
50145 Firenze - Italy  
Tel: +39 055 37911  
targetti.com  
targetti@targetti.com

CCIAA Firenze  
Share Capital:  
€ 500.000,00  
VAT N. (IT):  
01537660480  
R.E.A.: FI-275656

**TARGETTI**

## 1E3938EL | DART Medium Professional adjustable LED projector

### Accessories

#### Filter



Code

**1E3023**

Blade of light filter.  
PMMA holographic filter for a blade of light effect.  
To be completed with a dedicated holder ring.  
Diameter 101mm.

#### Grid



Colour

Code

**1E3025**

Anti-glare louver.  
The central elements may be removed to obtain two different levels of glare control.  
Powder coated stainless steel.

#### Screen



Colour

Code

**1E3024**

Asymmetric screen.  
Powder coated stainless steel.

### Mounting System



Colour

Code

**1E3026**

Plate for fixture rotation.  
Powder coated stainless steel.

Dimensions  
ØxH mm

Colour

Code

96x182

**1E3028**

Earthspike.  
Powder coated stainless steel.



Colour

Code

**1E2825**

Pole bracket.  
Anodised and powder coated aluminium.  
Pole Ø 60mm (+/-2mm).



Colour

Code

**1E3027**

Pole multiple mounting system.  
Powder coated stainless steel.  
To be completed with 1E2825.  
Max 4 projectors.

Due to the technological evolution of the electronic components, the data provided may be updated, and as such, confirmation must be requested during the order process.  
Luminous flux and power supply have +/-10% tolerances with respect to the indicated value. tq +25°C (CIE 121).

We reserve the right to make technical changes.

Targetti Sankey S.r.l.  
Via Pratese, 164  
50145 Firenze - Italy  
Tel: +39 055 37911  
targetti.com  
targetti@targetti.com

CCIAA Firenze  
Share Capital:  
€ 500.000,00  
VAT N. (IT):  
01537660480  
R.E.A.: FI-275656

**TARGETTI**

# 1E3938EL | DART Medium Professional adjustable LED projector

## Holder Ring



Colour Code

● 1E3022

Holder ring.  
Powder coated stainless steel.  
Ax B 120x120mm.

## Tool



Colour Code

● 1E3029

Laser pointing system.  
Installed by friction on the projector's body.  
Powder coated stainless steel.  
Laser included.

## Connector



Code

1E2769

Linear connection box IP66/IP68.  
5 poles max. wire section 1.5mm<sup>2</sup>.  
Cable diameter range from 7 to 12mm.

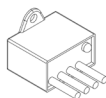


Code

1E2494

Multiple connection box IP68.  
1 IN - 3 OUT 4 poles max. wire section 2.5mm<sup>2</sup>.  
Cable diameter range from 6 to 12mm.

## Surge protector



Code

A013A

Surge protector compatible with CLASS I lighting fixtures.  
Operating voltage 230-277Vac.  
SPD type 2+3.  
Max surge protection 10kV.  
CLASS I  
IP67

Due to the technological evolution of the electronic components, the data provided may be updated, and as such, confirmation must be requested during the order process.  
Luminous flux and power supply have +/-10% tolerances with respect to the indicated value. tq +25°C (CIE 121).

We reserve the right to make technical changes.

Targetti Sankey S.r.l.  
Via Pratese, 164  
50145 Firenze - Italy  
Tel: +39 055 37911  
targetti.com  
targetti@targetti.com

CCIAA Firenze  
Share Capital:  
€ 500.000,00  
VAT N. (IT):  
01537660480  
R.E.A: FI-275656

**TARGETTI**